

Lexmark MX810 MX811 MX812 Series Monochrome Laser Multifunction Printers

Built for Top Performance.

Meet the star of our high performance lineup. The Lexmark MX810 Series MFP saves time with blazing-fast processor, print, copy and scan speeds—plus it packs productivity solutions that boost your competitive edge. *Need faster speeds? Choose the MX811 or the MX812.*



Up to 70
ppm



10.2-Inch
(25.9-cm)
Touch Screen



Security



Finishing
Function

Unison™
TONER



Set the Pace for Increased Productivity.

Stay a step ahead and get more work done faster. These systems can meet your most demanding expectations, providing professional, finished documents. Choose the options you like to build the solution you need.

Faster Processing - Improve your print, scan and copy speeds by taking advantage of up to 3 GB of upgradable memory, an 800 MHz dual-core processor and Gigabit Ethernet.

Reliable High Performance - Easily print or copy up to 35,000 pages per month, plus enjoy fewer maintenance hassles, thanks to our state-of-the-art paper handling.

Keep Jobs Moving - With a maximum input capacity of up to 2,750 sheets and an extra high yield toner cartridge, you won't have to add paper or change cartridges as often.

Get Work Done Quickly - Enjoy print and copy speeds from 55 to 63 pages per minute, produce your first page in as little as 4.4 seconds and rapidly scan a 2-sided document in a single pass. Want to print or copy up to 70 pages per minute? Get the MX812.

Look Professional. Work Smarter.

Using a multifunction printer is really simple. Our easy-to-read touch screen saves steps with the press of a button. Now you can deliver great-looking documents fast—and focus more on your business.

Large Touch Screen - A vibrant, easy-to-use 10.2-inch colour touch screen provides access to pre-installed workflow solutions.

One-touch Controls - Preview your held jobs to print only the pages you need and make changes on the fly. Choose multi-image printing on one page, or select two-sided printing to save paper.

Print on a Wide Range of Media - With built-in 2-sided printing and the ability to print on diverse materials, you can do more for your business and use less paper.

Innovative Toner That Optimizes Performance - Get greater system performance with Lexmark's Unison™ Toner, which delivers consistent image quality from first print to last.

Intelligent Workflow. Secure Design.

Our preloaded business solutions simplify your work processes and increase productivity. Ultra advanced security capabilities provide maximum protection for your critical business data.

Print Anytime and Anywhere⁶ - With this system, you can print from desktops as well as mobile devices that can run applications.

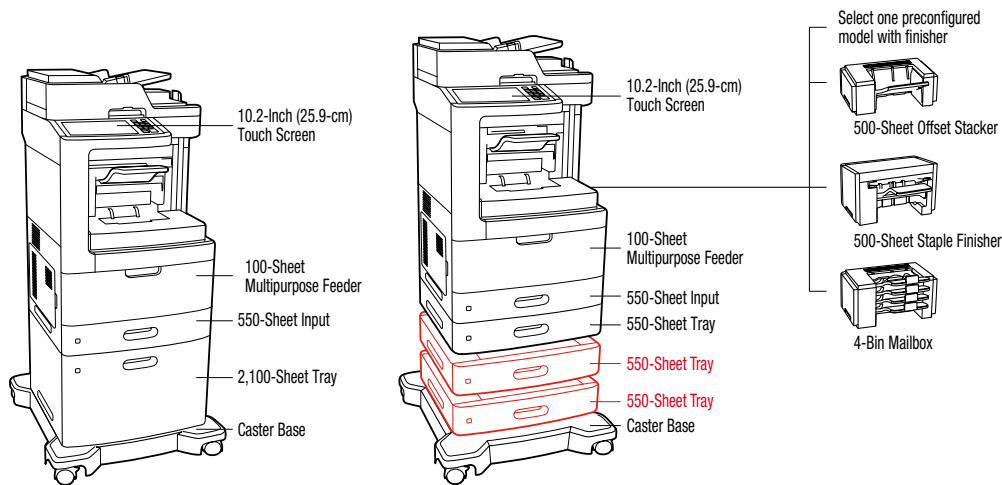
Apps Make It Easy - Pre-loaded solutions work much like mobile phone apps. Touch the screen and access shortcuts to scan, print, copy or send faxes, emails and other documents fast.

Enjoy Enterprise-level Security - Now you can authenticate, authorize and audit employee usage. To protect sensitive data, you can also use standard network security protocols, data encryption and disk wiping capabilities.

Identify Potential Risks - Track more than 100 variables and events, including user activity, with Audit Logging. It's designed to work with your intrusion detection system in real time.

LEXMARK
TM

Lexmark MX810 MX811 MX812 Series Monochrome Laser Multifunction Printers



Standard
 Optional

Product specifications	Lexmark MX810dfe / MX810dxfe	Lexmark MX811dfe / MX811dxfe	Lexmark MX812dfe / MX812dxfe
Printing			
Function	Colour Scanning, Copying, Faxing, Network Scanning, Printing		
Display	Lexmark e-Task 10.2-inch (25.9 cm) colour touch screen		
Print Speed: Up to ¹	Black: 55 ppm	Black: 63 ppm	Black: 70 ppm
Time to First Page: As fast as	Black: 4.8 seconds	Black: 4.4 seconds	Black: 4.0 seconds
Print Resolution	Black: 1200 Image Quality, 1200 x 1200 dpi, 2400 Image Quality, 600 x 600 dpi		
Memory / Processor	Standard: 1024 MB / Maximum: 3072 MB / Processor: Dual Core, 800 MHz		
Hard Disk	Included in configuration		
Recommended Monthly Page Volume ²	5000 - 35000 pages		
Maximum Monthly Duty Cycle: Up to ³	300000 pages per month		
Copying			
Copy Speed: Up to ⁴	Black: 55 cpm	Black: 63 cpm	Black: 70 cpm
Time to First Copy: As fast as	Black: 4.5 seconds	Black: 4.2 seconds	Black: 4 seconds
Colour Scanning			
Scanner Type / ADF Scan	Flatbed scanner with ADF / DADF (single pass Duplex) / 150 pages 20 lb or 75 gsm bond		
Duplex Scan Speed: Up to	A4/Ltr, Black: 70 / 72 sides per minute - A4/Ltr, Colour: 66 / 68 sides per minute		
Simplex Scan Speed: Up to	A4/Ltr, Black: 67 / 70 sides per minute - A4/Ltr, Colour: 67 / 70 sides per minute		
Optical Scanning Resolution	300 X 300 dpi (colour), 600 X 600 ppi (black)		
Faxing			
Modem Speed	ITU T.30, V.34 Half-Duplex, 33.6 Kbps		
Supplies⁵			
Laser Cartridge Yields	6,000 ¹ -page Cartridge, 25,000 ¹ -page High Yield Cartridge, 45,000 ¹ -page Extra High Yield Cartridge		
Cartridge(s) Shipping with Product	25,000 ¹ -page High Yield Return Program Toner Cartridge		
Paper Handling			
Included Paper Handling (dfe)	550-Sheet Input, 100-Sheet Multipurpose Feeder, 550-Sheet Output Bin, Staple Finisher, Integrated Duplex, 550-Sheet Tray		
Included Paper Handling (dxfe)	550-Sheet Input, 100-Sheet Multipurpose Feeder, 550-Sheet Output Bin, Staple Finisher, Integrated Duplex, 2100-Sheet Tray		
Optional Paper Handling	dfe: 550-Sheet Tray -- dxfe: Not Applicable		
Paper Input Capacity, Standard: Up to (dfe)	Standard: 1200 pages 20 lb or 75 gsm bond / Maximum: 2300 pages 20 lb or 75 gsm bond		
Paper Input Capacity, Standard: Up to (dxfe)	Standard: 2750 pages 20 lb or 75 gsm bond / Maximum: 2750 pages 20 lb or 75 gsm bond		
Paper Output Capacity: Up to	Standard: 1050 pages 20 lb or 75 gsm bond / Maximum: 1050 pages 20 lb or 75 gsm bond		
Media Types Supported	Card Stock, Dual Web Labels, Envelopes, Integrated Labels, Paper Labels, Plain Paper, Transparencies, Refer to the Card Stock & Label Guide		
Media Sizes Supported	10 Envelope, 7 3/4 Envelope, 9 Envelope, A4, A5, B5 Envelope, C5 Envelope, DL Envelope, Executive, Folio, JIS-B5, Legal, Letter, Statement, Universal, Oficio, A6		
General			
Standard Ports	One Internal Card Slot, USB 2.0 Specification Hi-Speed Certified (Type B), Gigabit Ethernet (10/100/1000), Front USB 2.0 Specification Hi-Speed Certified port (Type A), Rear USB 2.0 Specification Hi-Speed Certified port (Type A)		
Optional Network Ports / Optional Local Ports	Internal MarkNet N8350 802.11b/g/n Wireless / Internal RS-232C serial, Internal 1284-B Bidirectional Parallel		
Noise Level, Operating	Print: 55 dBA / Copy: 55 dBA / Scan: 57 dBA	Print: 55 dBA / Copy: 56 dBA / Scan: 57 dBA	Print: 56 dBA / Copy: 56 dBA / Scan: 57 dBA
Product Warranty	1-Year Onsite Service, Next Business Day		
Size (in. - H x W x D) / Weight (lb.)	dfe: 44.6 x 26.1 x 28.9 in. / 193.2 lb. -- dxfe: 54.1 x 26.1 x 28.9 in. / 220.4 lb.		

Visit www.lexmark.ca for more information on all Lexmark MX810, MX811 and MX812 models.

¹ Average standard page yield value declared in accordance with ISO/IEC 19752. ² "Recommended Monthly Page Volume" is a range of pages that helps customers evaluate Lexmark's product offerings based on the average number of pages customers plan to print on the device each month. Lexmark recommends that the number of pages per month be within the stated range for optimum device performance, based on factors including: supplies replacement intervals, paper loading intervals, speed, and typical customer usage. ³ "Maximum Monthly Duty Cycle" is defined as the maximum number of pages a device could deliver in a month using a multishift operation. This metric provides a comparison of robustness in relation to other Lexmark printers and MFPs. ⁴ Print and copy speeds measured in accordance with ISO/IEC 24734, excludes first set of test documents. For more information see: www.lexmark.com/ISOspeeds. ⁵ Product functions only with replacement cartridges designed for use in a specific geographical region. See www.lexmark.com/regions for more details. ⁶ For more information on Lexmark Mobile Solutions see: http://www1.lexmark.com/en_US/solutions/business-solutions/mobile-print/index.shtml



Lexmark and Lexmark with the diamond design are trademarks of Lexmark International, Inc., registered in the United States and/or other countries. All other trademarks are the property of their respective owners. ENERGY STAR® is a U.S. registered mark. Information in this document is subject to change without notice. Unison is a trademark of Lexmark International, Inc.

